

# Technical Datasheet



## FlowPod

Local Display  
with HART and Exd Certification

## FlowPod

The FlowPod is TASI Flow Group's latest flow indication display unit. Utilizing state-of-the-art technology, the FlowPod comes in a compact and light weight flame proof stainless steel enclosure that is only 85 mm in diameter and weighs in at only 1.6 kg. The FlowPod is one of the smallest flow displays for the Chemical Injection industry on the market today.

The back-lit display with high contrast, large flow rate indication and totalizer digits, enables the display to be easily read at distance in poorly lit conditions. The FlowPod comes equipped with memory card facility.

A memory card has been developed by TASI Flow Group for 2-wire low powered systems. The memory card enables calibration data to be easily swapped without having to remove the FlowPod from the installation or having to perform difficult calibration curve changes on site. The memory card has data logging capabilities to enable recalibration to be tailored to flow rate of the meter as specified by the client.

The FlowPod can be controlled without having to power down, by using HART commands or by the integrated magnetic switches that allows for simple programming and menu selection.

The display can either be direct mounted or remote mounted using suitable armoured signal cable or conduit.

The standard specification includes HART 7 protocol output on a 2- or 4- wire 24 V DC powered system.

## Applications

### Well Injection

- Chemical Injection
- Gas Dehydration
- De-Icing

### Well Control

- Topside

### Transmission

- Gas Odorization

### Chemical & Petrochemical

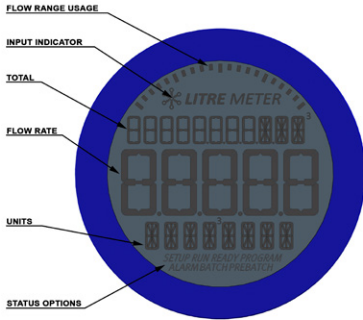
- Gas Sweetening
- Blending

## Key Features



Ex Protection	Exia- ATEX, IECEx Exd- CSA (US): Class1 Div1 (B, C, D) CSA (CAN): Class1 Div1 (B, C, D) ATEX: Ex db IIC IECEX: EX db IIC IP66/68 dual certified
Temperature Rating	-20 °C up to +75 °C [-4 °F up to +167 °F]
Output	2 or 4 wire, 4 - 20 mA HART 7 programming and monitoring
Housing	Compact lightweight DIN 1.4401 [AISI 316] stainless steel housing
Features	Rotatable through 360° for optimized viewing angle 2 VFF sensing options (standard and hi-res, both with bidirectional sensing) Removable LM-MC storage card for data logging & offsite programming Local programming Resettable and non-resettable totalizer Batch control
Power Supply	12 - 30 V DC (Exd)

Display Features



**Flow Range Usage**

Analogue display of flow rate in 20 steps – programmable.

**Input Indicator**

Symbol pulses at low flow, as another visual check of flow rate.

**Total**

A total of 8 digits with the options to display: 'Non Resettable Total', 'Resettable Total' and 'Resettable Reverse Flow Total'.

**Flow Rate**

The large 5 digits display the real time flow rate. High contrast and large digits allow to be easily read from a distance in poor light conditions.

**Units**

The option to display the flow rate and total in many different units, depending on your requirements.

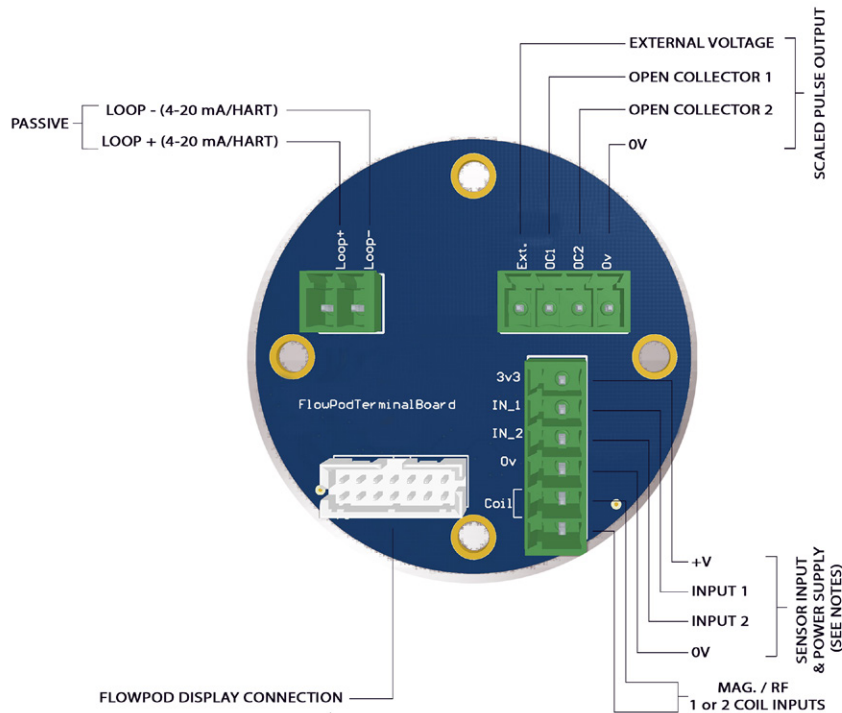
**Status Options**

Identifies which mode is active as well as providing status messages.

**LED Colour Back Light**

Change in colour in accordance to flow alarm conditions, available on the 4 wire.

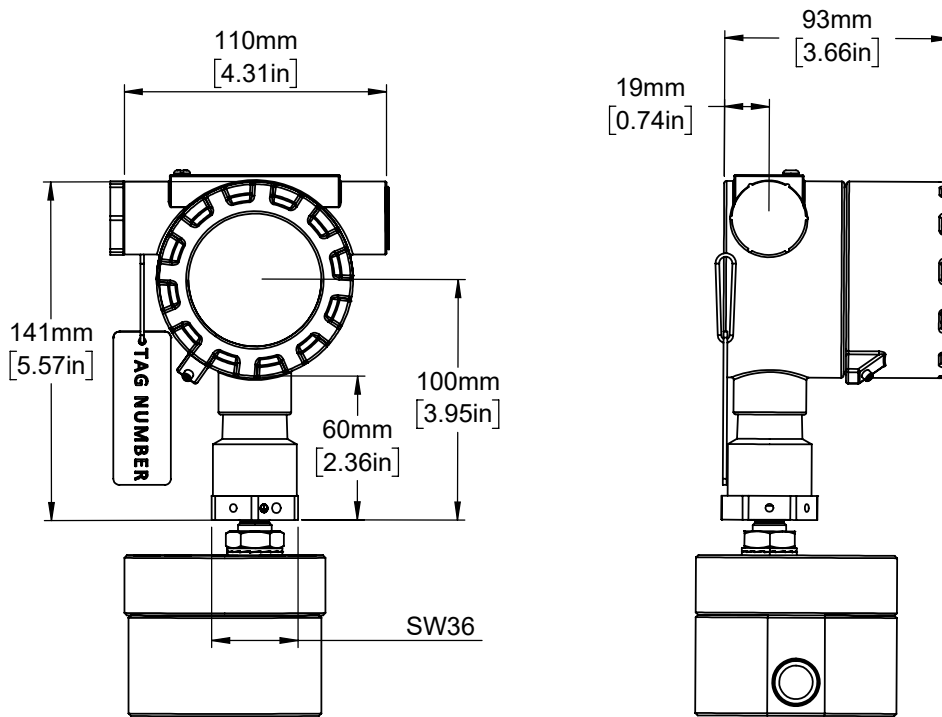
Connections



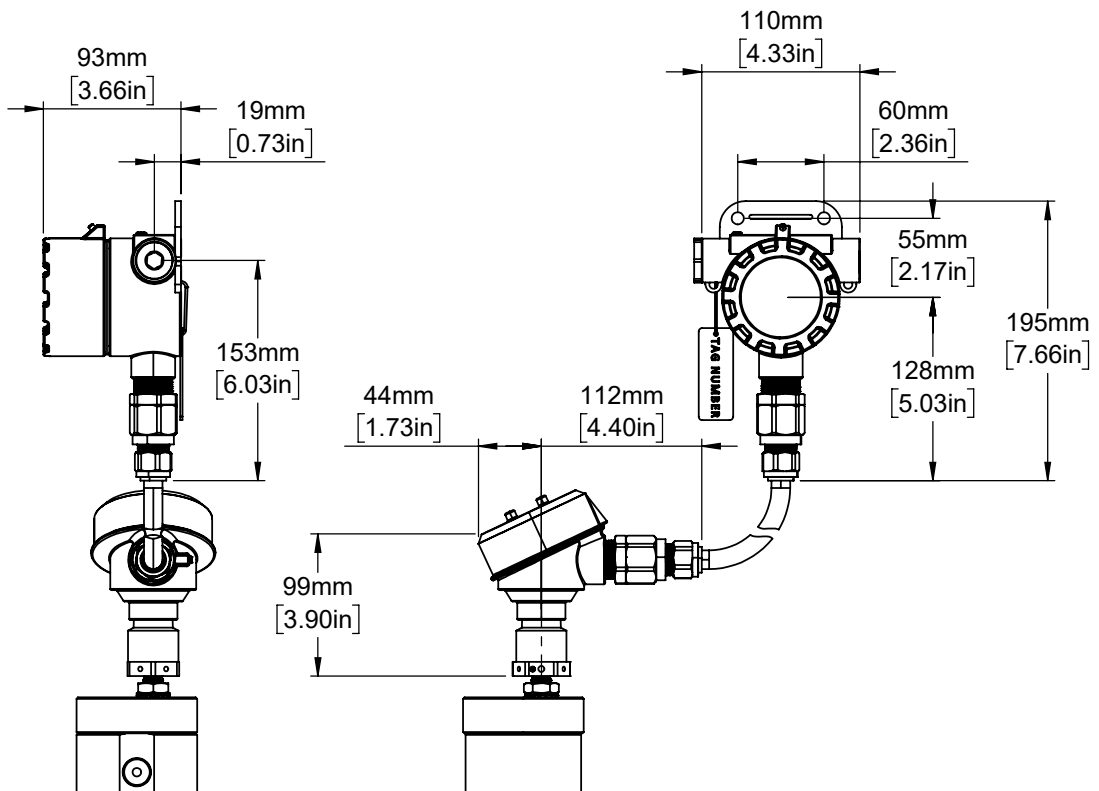
**Note**

2 wires > loop powered.  
4 wires > external power.

Dimensional Drawing (Direct Mount)



Dimensional Drawing (Remote Mount)



**Ordering Code**

FlowPod - X - X - X - X

**Output Options**

4 - 20 mA HART7 output H

**Sensor Options**

Standard VFF sensor RS  
 Carrier frequency RF  
 Magnetic coil/inductive sensor with sine-wave output MAG  
 Other options: NPN, PNP, Namur (consult factory)

**Enclosure Options**

Bottom entry 3/4" NPT, side entries 3/4" NPT with DIN 1.4401 (AISI316) Exd blanking plug E1  
 Bottom entry 3/4" NPT, side entries M20x1.5 with DIN 1.4401 (AISI316) Exd blanking plug E2  
 Bottom entry M20x1.5, side entries M20x1.5 with DIN 1.4401 (AISI316) Exd blanking plug E3

**Certification Options**

2-Wire loop powered HART Exia, ATEX & IECEx (passive) 2Exi  
 2-Wire loop powered HART Exd, ATEX/IECEx (passive) 2Exd  
 4-Wire HART Exd, ATEX/IECEx (passive) 4Exd



Küppers Elektromechanik GmbH

[www.kem-kueppers.com](http://www.kem-kueppers.com)

[info@kem-kueppers.com](mailto:info@kem-kueppers.com)

### KEM Headquarters

Liebigstraße 5  
85757 Karlsfeld  
Germany

T. +49 8131 59391-0  
F. +49 8131 92604

[info@kem-kueppers.com](mailto:info@kem-kueppers.com)

### KEM Manufacturing Center

Wetzeller Straße 22  
93444 Bad Kötzing  
Germany

T. +49 9941 9423-0  
F. +49 9941 9423-23

[production@kem-kueppers.com](mailto:production@kem-kueppers.com)

### KEM Sales

Liebigstraße 5  
85757 Karlsfeld  
Germany

T. +49 8131 59391-100  
F. +49 8131 92604

[sales@kem-kueppers.com](mailto:sales@kem-kueppers.com)

### KEM Service & Repairs

Wetzeller Straße 22  
93444 Bad Kötzing  
Germany

T. +49 9941 9423-37  
F. +49 9941 9423-24

[service@kem-kueppers.com](mailto:service@kem-kueppers.com)

*More distributors & partners can be found at:  
[www.kem-kueppers.com](http://www.kem-kueppers.com)*