

# Technical datasheet



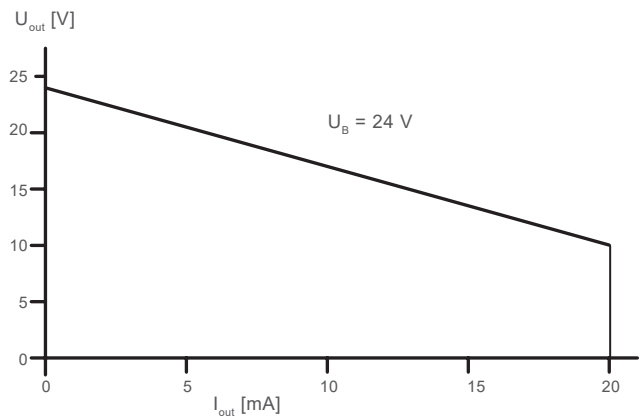
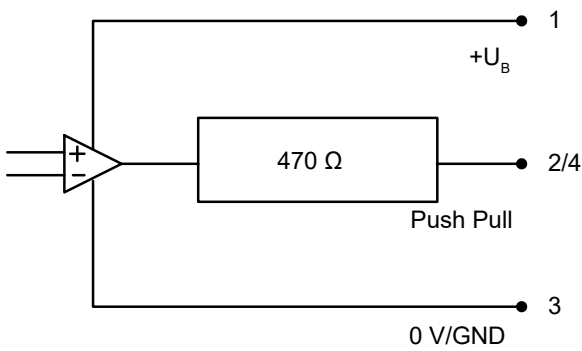
## VHE and VHD

### Halleffect Pulse Amplifiers

Technical Data

	VHE single pickup	VHD dual pickup
Supply Voltage	8 to 30 V DC	8 to 30 V DC
Frequency Range	1 to 3,000 Hz	1 to 3,000 Hz
Output	Square wave pulses	Square wave pulses Double measuring frequency and reverse flow direction
Output Impedance	Approx. 470 Ω	Approx. 470 Ω
Temperature Range	-20 °C up to +80 °C [-4 °F up to +176 °F]	-20 °C up to +80 °C [-4 °F up to +176 °F]
Electrical Connection	M16 plug-in connector (5-pin, male, A-coded)  <div data-bbox="150 757 349 954" data-label="Diagram"> </div> 1 = supply voltage 2 = output signal 3 = 0V/GND 4 = nc 5 = nc	M16 plug-in connector (5-pin, male, A-coded)  1 = supply voltage 2 = output signal 1: fx2 3 = 0V/GND 4 = output signal 2: V/R 5 = nc
IP Protection	IP65	IP65

Electrical Connection



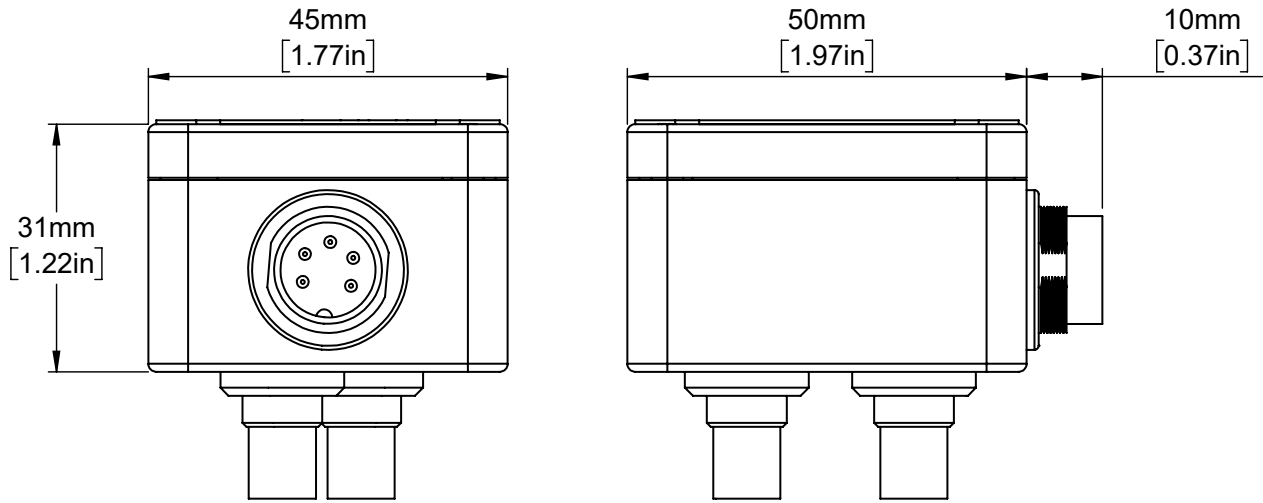
PIN 2 = VHD: f x 2, VHE: single frequency

PIN 4 = VHD: reverse flow, VHE: n.c.

$$U_{out} = (U_B - 0.5 V) - (I_{out} \times 470 \Omega)$$

$$I_{out} = (U_B - 0.5 V) : (470 \Omega + R_{load})$$

Dimensional Drawing



Ordering Code

	VH	X	X	.	XX
<b>Pickup Type</b>					
Single pickup		E			
Dual pickup		D			
<b>Output</b>					
Plug version for ZHA series			F		
<b>Mechanical Design</b>					
For ZHA 01/2					01
For ZHA 02					02
For ZHA 03					03
For ZHA 04					04
For ZHA 05					05



Küppers Elektromechanik GmbH

[www.kem-kueppers.com](http://www.kem-kueppers.com)

[info@kem-kueppers.com](mailto:info@kem-kueppers.com)

### KEM Headquarters

Liebigstraße 5  
85757 Karlsfeld  
Germany

T. +49 8131 59391-0  
F. +49 8131 92604

[info@kem-kueppers.com](mailto:info@kem-kueppers.com)

### KEM Manufacturing Center

Wetzeller Straße 22  
93444 Bad Kötzing  
Germany

T. +49 9941 9423-0  
F. +49 9941 9423-23

[production@kem-kueppers.com](mailto:production@kem-kueppers.com)

### KEM Sales

Liebigstraße 5  
85757 Karlsfeld  
Germany

T. +49 8131 59391-100  
F. +49 8131 92604

[sales@kem-kueppers.com](mailto:sales@kem-kueppers.com)

### KEM Service & Repairs

Wetzeller Straße 22  
93444 Bad Kötzing  
Germany

T. +49 9941 9423-37  
F. +49 9941 9423-24

[service@kem-kueppers.com](mailto:service@kem-kueppers.com)

*More distributors & partners can be found at:  
[www.kem-kueppers.com](http://www.kem-kueppers.com)*